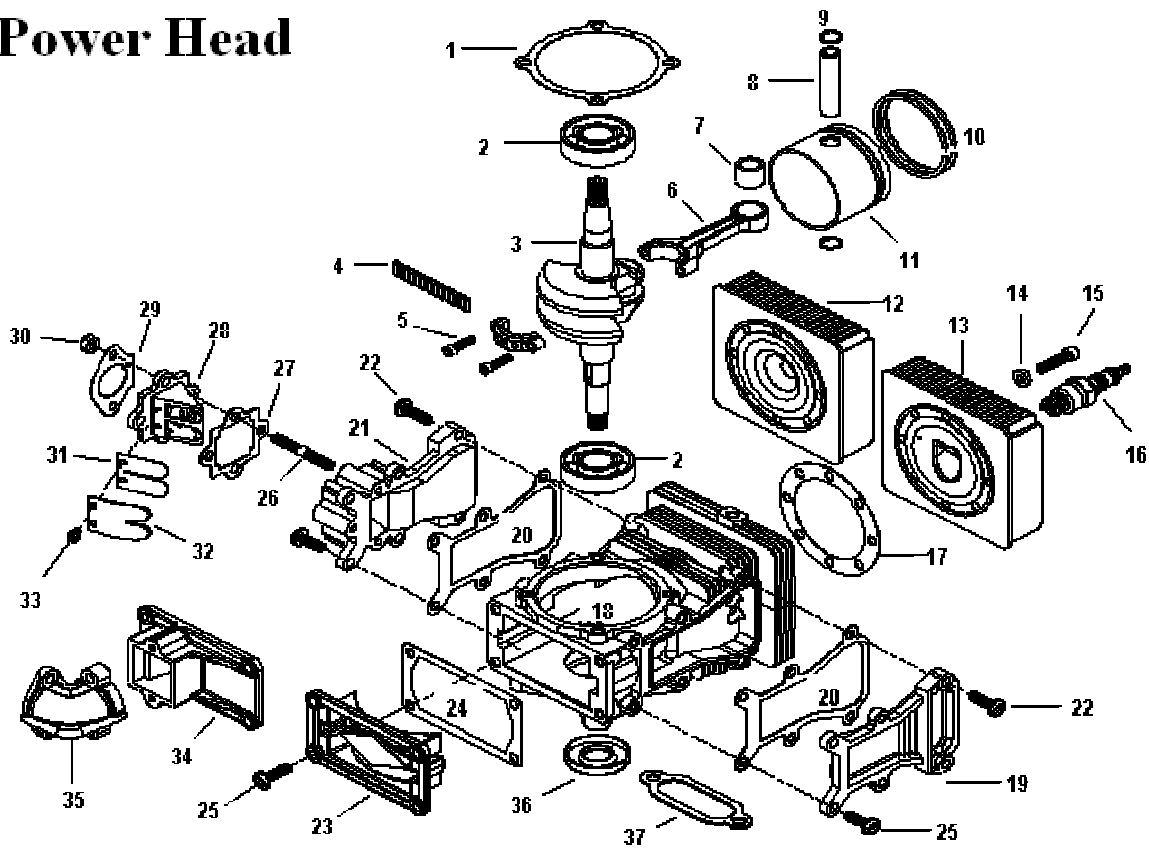


# Power Head



No	Part Number	Quantity	Description	No	Part Number	Quantity	Description
1*	175277	1	Bearing Cage Gasket	19	175222	1	Transfer Port Cover
2	127910-2	2	Ball Bearing	20*	175223	2	Cover Gasket
3	A180018	1	Crankshaft	21	A175157	1	Manifold includes #26
4	A175228	1	Crankpin Roller Set	22	1497	4	1/4-20 x 7/8 Bolt
5	175634	2	Connecting Rod Screw	23	175150	1	Crankcase Cover
6	S175016	1	Connecting Rod	24*	175148	1	Cover Gasket
7	55217	1	Upper Rod Bearing	25	1439	12	1/4 - 20 x 3/4 Bolt
8	175016	1	Piston Pin	26	27209-1	2	Stud
9	31410	2	Retaining Ring	27	31168	1	Manifold Gasket
10	A175260-1	1	Piston Ring Set	28	A180158	1	Reed Plate Assembly
11	175015	1	Piston	29*	175906	1	Carburetor Gasket
12	180518	1	Cylinder Head	30	1490	2	Hex Nut 1/4-29
13*	175518-2	1	Cylinder Head	31	180160	2	Reed Phenolic
14	8026	8	Head Bolt Washer	32	31161	2	Reed Stop
15	1465	8	Socket Head Bolt	33	1755	4	Screw 6-32 x 5/16
16	235227-2	1	Spark Plug	34	174157	1	Manifold
17*	175529032	1	Head Gasket .032	35	247167	1	Elbow
17b	175529062	1	Head Gasket .062	36	31146	1	Seal
18	2A560010	1	Cylinder	37	180300	1	Copper Exhaust Gasket
					G820	1	Gasket Set (* included in se